

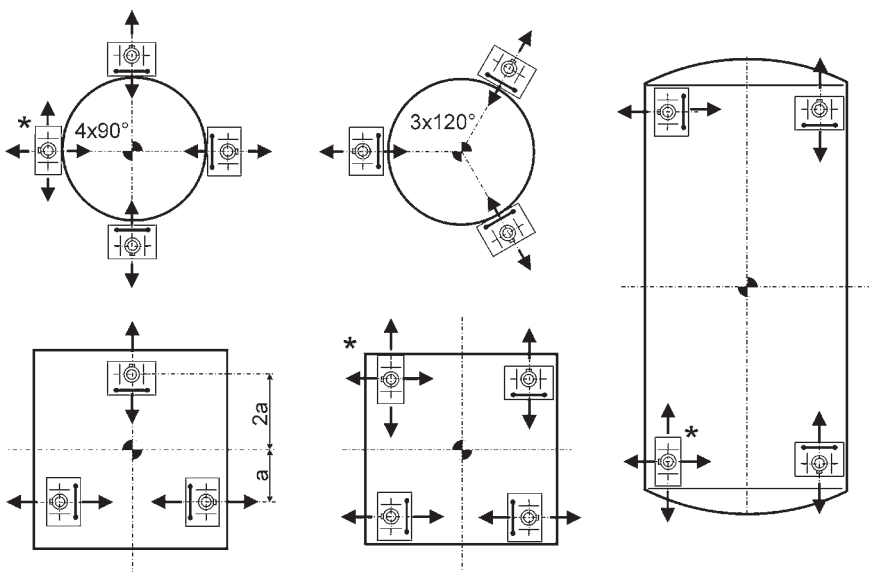


## PR 6001

### Mounting kits for load cell PR 6201



- Easy and fast installation
- Applicable for capacities from 500 kg to 300 t.
- Stainless steel version available
- Designed to withstand high lateral forces
- Certified by "Germanischer Lloyd"
- With build-in dummy function
- Maintenance free
- Inclusive constrainer
- Certified according to EN 1090



\* do not constrain this point

The PR 6001 mounting kit family is optimised for the PR 6201 load cell family to guarantee best weighing performance. It covers the capacity range from 500 kg up to 300 t.

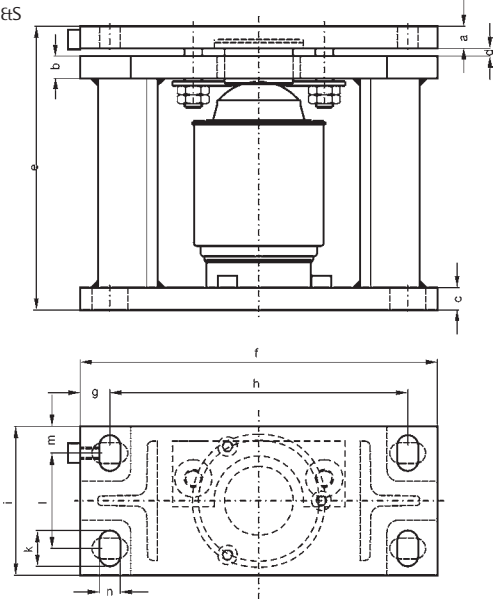
The special design allows a horizontal displacement in the unconstrained direction of the load cell. All constrainters are 100 % maintenance free.

There are two different materials available: stainless steel (S|S-Version 1.4301 equivalent to AISI 304, B.S. 304S15) or mild steel zinc plated (N-Version St37-2 equivalent to B.S. 40B).

It's unique design includes a dummy functionality to install the vessel without load cell. The top load disc remains in place even when the load cell is not mounted. The design principle integrates a lift-off protection and built-in stops.

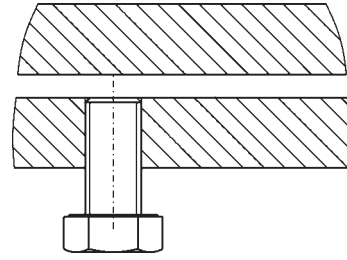
## Universal vessel foot PR 6001/OX (500 kg... 300 t)

PR 6001/0N&ES

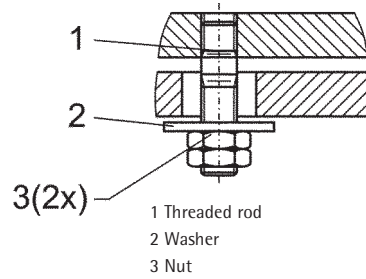


Jack-up (only PR 6001/00)

$F_{max} = 1.2 \text{ t}$



Internal lift-off protection



1 Threaded rod  
2 Washer  
3 Nut

Dimensions in mm

Dimensions in mm

	a	b	c	d	e	f	g	h	i	k	l	m	n
PR 6001/00	15	15	15	5	190.5	240	20	200	100	24	64	18	14
PR 6001/01	15	15	15	5	190.5	240	20	200	100	24	64	18	14
PR 6001/02	30	20	30	8	290	300	23	254	130	32	84	23	18
PR 6001/03	40	20	40	10	385	370	30	310	180	40	120	30	22

### Technical data

	PR 6001/00	PR 6001/01	PR 6001/02	PR 6001/03
Rated capacity (load cell)	500 kg... 10 t	20 t... 50 t	100 t	200 t...300 t
Jack-up device integrated	yes	no	no	no
S S-Version available	yes	yes	no*	no*
Max. horizontal displacement of the load cell	± 5 mm	± 5 mm	± 6 mm	± 8 mm

Certified data (No. 47 458-03HH) by "Germanischer Lloyd"



	PR 6001/00	PR 6001/01	PR 6001/02	PR 6001/03
Destructive lateral force $N_d^{**}$	>20 kN	>20 kN	>28 kN	>34 kN
Permissible lift-off-protection force $N_d^{**}$	20 kN	30 kN	40 kN	50 kN
Permissible load without load cell $N_d^{**}$	25 t	25 t	38 t	38 t

\*on request \*\*according to DIN 18800

### Accessories

(supplied with the mounting kits)

- Bolts and washers to install the flexible copper strap

- Allen key
- Instruction manual

### Material

S|S-Version: 1.4301

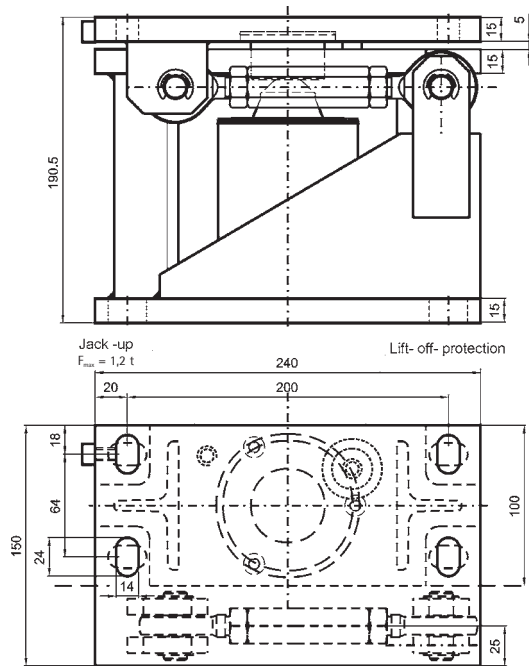
N-Version: St37-2, zinc plated and chromated

### Order information

Type	Description	Weight gross net	Order number
PR 6001/00N	Universal vessel foot (500 kg... 10 t)	10.4 kg 10.1 kg	9405 360 01001
PR 6001/00S	Universal vessel foot, stainless steel (500 kg... 10 t)	11.2 kg 10.9 kg	9405 360 01002
PR 6001/01N	Universal vessel foot (20 t... 50 t)	10.4 kg 10.1 kg	9405 360 01011
PR 6001/01S	Universal vessel foot, stainless steel (20 t... 50 t)	11.2 kg 10.9 kg	9405 360 01012
PR 6001/02N	Universal vessel foot (100 t)	27.5 kg 27.5 kg	9405 360 01021
PR 6001/03N	Universal vessel foot (200 t... 300 t)	60.0 kg 60.0 kg	9405 360 01031

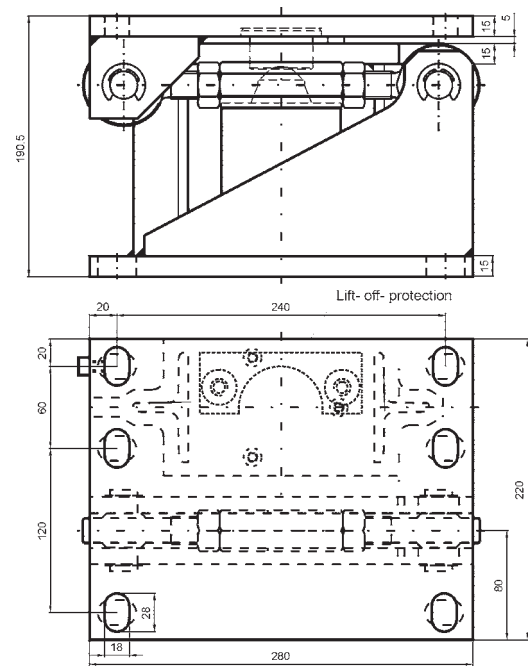
## MaxiFLEXLOCK PR 6001/1X, PR 6001/2X (25 kN, 50 kN lateral force)

Dimensions PR 6001/1N&S (Configuration shown: PR 6001/10)



Dimensions in mm

PR 6001/2N&S (Configuration shown: PR 6001/21)



Dimensions in mm

### Technical data

	PR 6001/10	PR 6001/11	PR 6001/20	PR 6001/21	PR 6001/26N
Rated capacity (load cell)	500 kg... 10 t	20 t... 50 t	500 kg... 10 t	20 t... 50 t	20 t... 50 t
Jack-up device integrated	yes	no	yes	no	no
S S-Version available	yes	yes	yes	yes	no
Max. horizontal displacement of the load cell	± 5 mm	± 5 mm	± 5 mm	± 5 mm	± 5 mm

### Certified data (No. 47 458-03HH) by "Germanischer Lloyd"



	PR 6001/10	PR 6001/11	PR 6001/20	PR 6001/21	PR 6001/26N
Permissible force for the constrainer	25 kN	25 kN	50 kN	50 kN	50 kN
Destructive lateral force $N_d^{**}$ (S S-Version)	> 39 kN	> 39 kN	> 100 kN	> 100 kN	> 100 kN
Destructive lateral force $N_d^{**}$ (N-Version)	> 45 kN	> 45 kN	> 100 kN	> 100 kN	> 100 kN
Permissible lift-off-protection force $N_d^{**}$	20 kN	30 kN	20 kN	30 kN	180 kN
Permissible load without load cell $N_d^{**}$	25 t	25 t	25 t	25 t	25 t

\*on request \*\*according to DIN 18800

### Accessories

- (supplied with the mounting kits)
- Bolts and washers to install the flexible copper strap
  - Allen key
  - Instruction manual

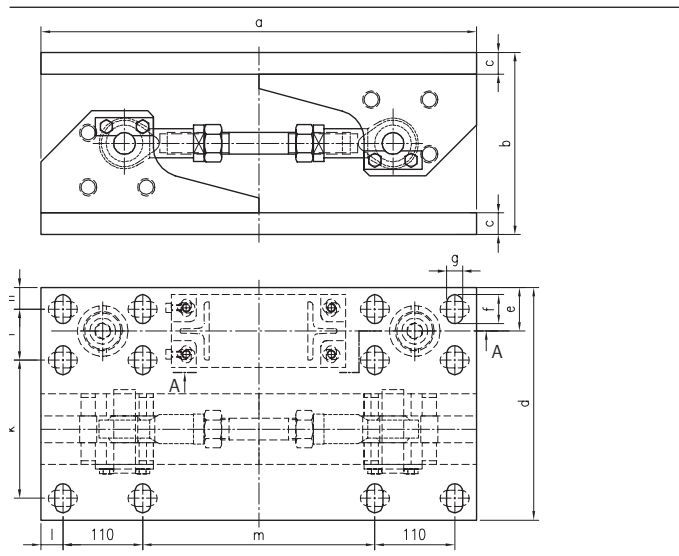
### Material

- S|S-Version: 1.4301  
N-Version: St37-2, zinc plated and chromated

### Order information

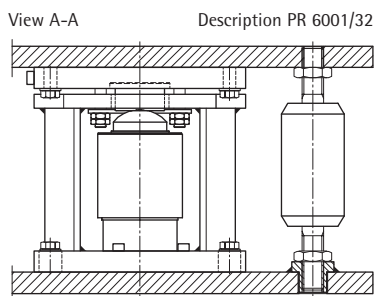
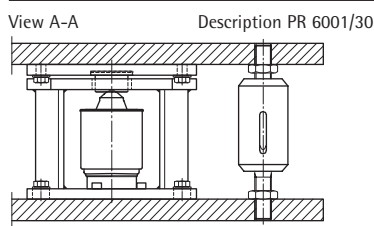
Type	Description	Weight gross   net	Order number
PR 6001/10N	25 kN-MaxiFLEXLOCK (500 kg... 10 t)	16.5 kg   15.9 kg	9405 360 01101
PR 6001/10S	25 kN-MaxiFLEXLOCK, stainless steel (500 kg... 10 t)	17.3 kg   16.7 kg	9405 360 01102
PR 6001/11N	25 kN-MaxiFLEXLOCK (20 t... 50 t)	16.5 kg   15.9 kg	9405 360 01111
PR 6001/11S	25 kN-MaxiFLEXLOCK, stainless steel (20 t... 50 t)	17.3 kg   16.7 kg	9405 360 01112
PR 6001/20N	50 kN-MaxiFLEXLOCK (500 kg... 10 t)	25.6 kg   25.0 kg	9405 360 01201
PR 6001/20S	50 kN-MaxiFLEXLOCK, stainless steel (500 kg... 10 t)	26.4 kg   25.8 kg	9405 360 01202
PR 6001/21N	50 kN-MaxiFLEXLOCK (20 t... 50 t)	25.6 kg   25.0 kg	9405 360 01211
PR 6001/21S	50 kN-MaxiFLEXLOCK, stainless steel (20 t... 50 t)	26.4 kg   25.8 kg	9405 360 01212
PR 6001/26N	50 kN-MaxiFLEXLOCK (20 t... 50 t)	92.15 kg   85 kg	9405 360 01261

## 200 kN – MaxiFLEXLOCK



Dimensions in mm

	a	b	c	d	e	f	g	h	i	k	l	m
PR 6001/30N	600	250.5	30	320	60	40	22	30	70	190	30	320
PR 6001/31N	600	250.5	30	320	60	40	22	30	70	190	30	320
PR 6001/32N	660	350	30	340	78	40	22	30	95	180	30	380
PR 6001/33N	730	445	30	380	100	40	22	30	140	180	30	450



Dimensions in mm

### Technical data

	PR 6001/30	PR 6001/31	PR 6001/32	PR 6001/33
Rated capacity (load cell)	500 kg... 10 t	20 t... 50 t	100 t	200 t... 300 t
S S-Version available	no*	no*	no*	no*
Max. horizontal displacement of the load cell	± 5 mm	± 5 mm	± 6 mm	± 8 mm

### Certified data (No. 47 458-03HH) by "Germanischer Lloyd"



	PR6001/30	PR6001/31	PR6001/32	PR6001/33
Permissible force for the constrictor	200 kN	200 kN	200 kN	200 kN
Destructive lateral force $N_d^{**}$	> 236 kN	> 236 kN	> 236 kN	> 236 kN
Permissible lift-off-protection force $N_d^{**}$	180 kN	180 kN	250 kN	250 kN
Permissible load without load cell $N_d^{**}$	25 t	25 t	38 t	54 t

\*on request \*\*according to DIN 18800

### Accessories

(supplied with the mounting kits)

- Bolts and washers to install the flexible copper strap

- Allen key
- Instruction manual

### Material

S|S-Version: 1.4301  
N-Version: St37-2, zinc plated and chromated

### Order information

Type	Description	Weight gross   net	Order number
PR 6001/30N	200 kN-MaxiFLEXLOCK (500 kg... 10 t)	143 kg   138 kg	9405 360 01301
PR 6001/31N	200 kN-MaxiFLEXLOCK (20 t... 50 t)	143 kg   139 kg	9405 360 01311
PR 6001/32N	200 kN-MaxiFLEXLOCK (100 t)	198 kg   193 kg	9405 360 01321
PR 6001/33N	200 kN-MaxiFLEXLOCK (200 t... 300 t)	275 kg   270 kg	9405 360 01331

Sartorius Mechatronics T & H GmbH  
Meiendorfer Strasse 205  
22145 Hamburg, Germany

Phone +49.40.67960.303  
Fax +49.40.67960.383

sales.hh@sartorius-intec.com  
www.sartorius-intec.com